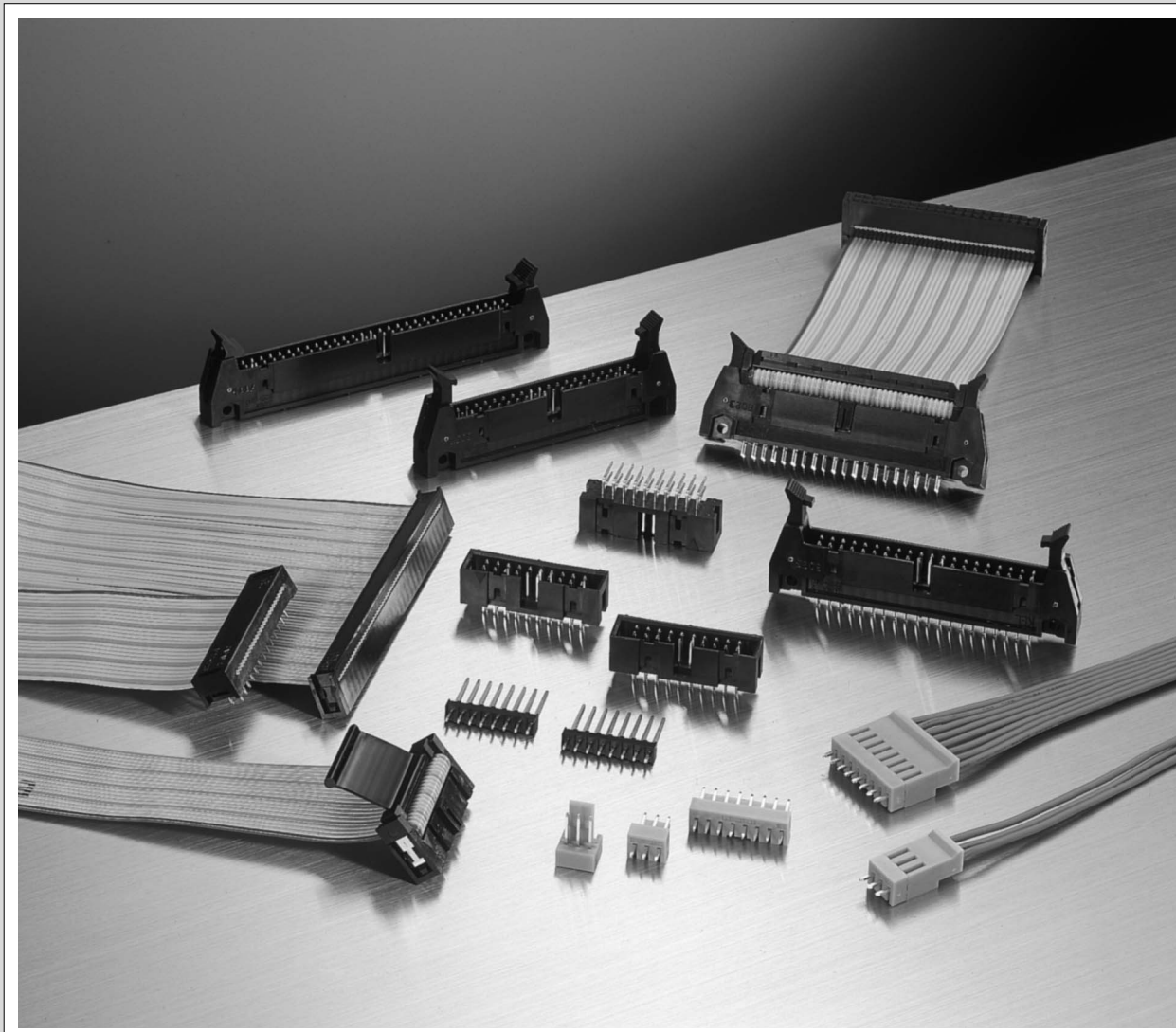




CABLE CONNECTOR

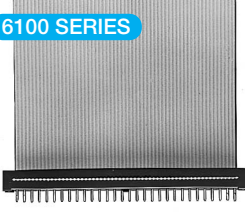
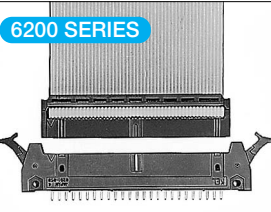
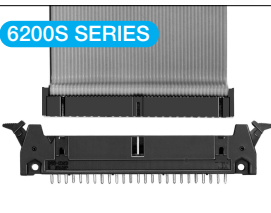
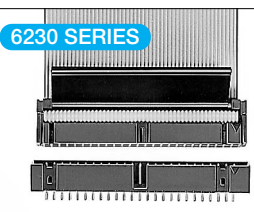
2.54mm Pitch Flat Ribbon Cable Connector

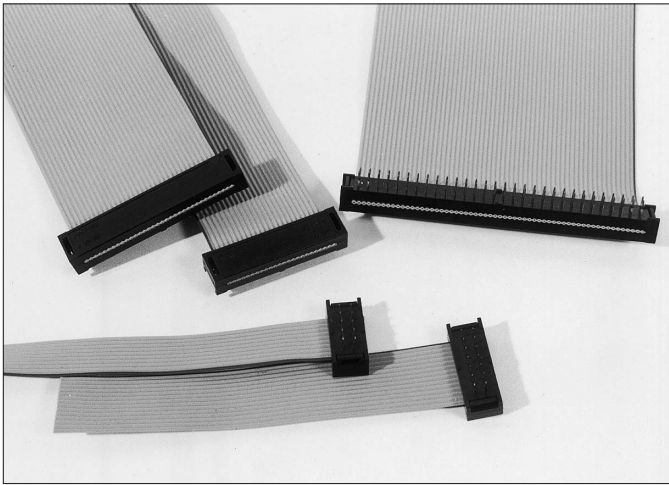
6100/6200/6200S/6230 SERIES



2.54mm Pitch FC Connector

Product Line-up

SERIES / FIGURE	TYPE	CONNECTOR STYLE		TERMINATION	TERMINAL STYLE	ACCEPTABLE WIRE	NO. OF CONTACTS	SERIES	PAGE
 <p>6100 SERIES</p>	Dual-Inline	Transition Connector		I.D.C / DIP Solder	—	#28 AWG	10,14,16,20 24,26,30,34 40,50,60	6100	K-9
 <p>6200 SERIES</p>	MIL Standard	Receptacle	With Strain Relief	I.D.C	—	#28 AWG	10,14,16,20 26,30,34,40 50,60	6200	K-10
		Plug	With Long Latch	DIP Solder	Straight & Right Angle			—	6201
 <p>6200S SERIES</p>	MIL Standard	Receptacle	Without Strain Relief	I.D.C	—	#28 AWG	10,14,16,20 26,30,34,40 50,60	6200S	K-12
		Plug	With Short Latch	DIP Solder	Straight & Right Angle	—		6201S	K-13
 <p>6230 SERIES</p>	—	Receptacle	With Pull Tab	I.D.C	—	#28 AWG	10,14,16,20 26,30,34,40 50,60	6230	K-14
		Plug	Box Type	DIP Solder	Straight & Right Angle	—		6231	K-15



FEATURES

- Flat ribbon cable transition connector
- 2.54mm contact center dual in line terminals
- RoHS compliance

SPECIFICATIONS

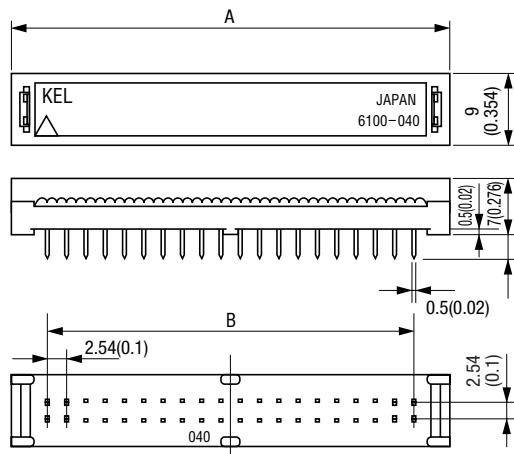
- Insulator : Glass-filled PBT(UL94V-0),Black
- Contact : Copper alloy
- Contact plating : IDC area ; Gold over Nickel
Terminal area ; Gold over Nickel
- Recommended cable : #28 AWG(7/0.127)
- Current rating : 1A per contact
- Contact resistance : 16mΩ max.
- Dielectric withstanding voltage : 800V AC for 1minute
- Insulation resistance : 1,000MΩ min. at 500V DC
- Operating temperature : -55 °C to +85 °C

ORDER CODE

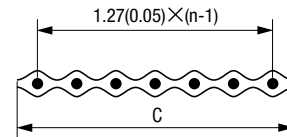
6100- -602-F

- **F** : RoHS compliance
- Contact name
- No. of contacts :
 - 010 : 10pin 030 : 30pin
 - 014 : 14pin 034 : 34pin
 - 016 : 16pin 040 : 40pin
 - 020 : 20pin 050 : 50pin
 - 024 : 24pin 060 : 60pin
 - 026 : 26pin
- Series name

6100- -602-F



Unit:mm(inch)



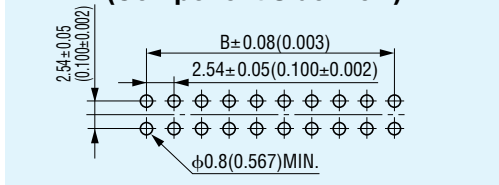
End (4) contacts are kinked to hold connector to PC board during wave soldering.

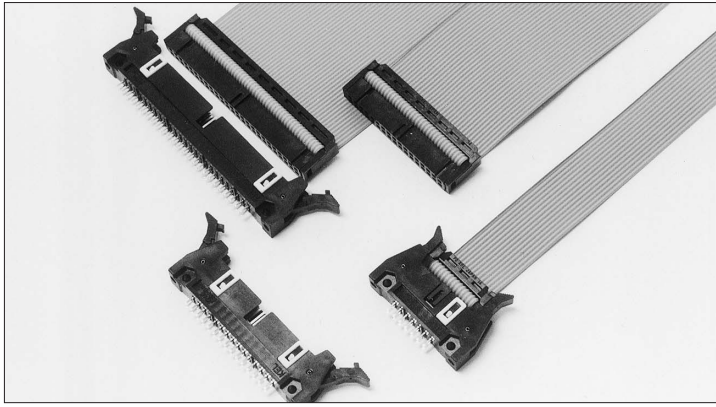
Packaging style
Other

Product Table / Dimensions

No. of contacts	Part Number	A	B	C	Number of packaging
10	6100-010-602-F	19.16 (0.754)	10.16 (0.400)	12.70 (0.500)	150
14	6100-014-602-F	24.24 (0.954)	15.24 (0.600)	17.78 (0.700)	150
16	6100-016-602-F	26.78 (1.054)	17.78 (0.700)	20.32 (0.800)	150
20	6100-020-602-F	31.86 (1.254)	22.86 (0.900)	25.40 (1.000)	130
24	6100-024-602-F	36.94 (1.454)	27.94 (1.100)	30.48 (1.200)	130
26	6100-026-602-F	39.48 (1.554)	30.48 (1.200)	33.02 (1.300)	130
30	6100-030-602-F	44.56 (1.754)	35.56 (1.400)	38.10 (1.500)	120
34	6100-034-602-F	49.64 (1.954)	40.64 (1.600)	43.18 (1.700)	120
40	6100-040-602-F	57.26 (2.254)	48.26 (1.900)	50.80 (2.000)	100
50	6100-050-602-F	69.96 (2.754)	60.96 (2.400)	63.50 (2.500)	100
60	6100-060-602-F	82.66 (3.254)	73.66 (2.900)	76.20 (3.000)	90

Printed Circuit Board Layout (Component Side View)





FEATURES

- Flat ribbon cable transition connector
- For standard MIL.
- With strain relief
- RoHS compliance

SPECIFICATIONS

- Insulator : Glass-filled PBT(UL94V-0),Black
- Contact : Copper alloy
- Contact plating :
 - [Plug] Contact area ; Gold over Nickel
 - Terminal area ; Gold over Nickel
 - [Receptacle] Contact area ; Gold over Nickel
 - IDC area ; Gold over Nickel
 - Terminal area ; Gold over Nickel
- Recommended cable : #28 AWG(7/0.127)
- Current rating : 1A per contact
- Contact resistance : 16mΩ max.
- Dielectric withstanding voltage: 800V AC for 1minute.
- Insulation resistance : 1,000MΩ min. at 500V DC
- Operating temperature : -55 °C to +85 °C

ORDER CODE

6200-□□□-601-F

- Series name : Cable side connector (Receptacle)
- Contact name
- F : RoHS compliance
- No. of contacts :
 - 010 : 10pin
 - 030 : 30pin
 - 014 : 14pin
 - 034 : 34pin
 - 016 : 16pin
 - 040 : 40pin
 - 020 : 20pin
 - 050 : 50pin
 - 026 : 26pin
 - 060 : 60pin

6201-□□□-25□-F

- Series name : PCB side connector (Plug)
- Contacts name :
 - 256 : Straight
 - 258 : Right angle
- F : RoHS compliance
- No. of contacts :
 - 010 : 10pin
 - 030 : 30pin
 - 014 : 14pin
 - 034 : 34pin
 - 016 : 16pin
 - 040 : 40pin
 - 020 : 20pin
 - 050 : 50pin
 - 026 : 26pin
 - 060 : 60pin

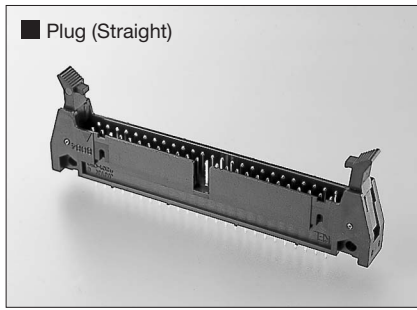
Receptacle

6200-□□□-601-F

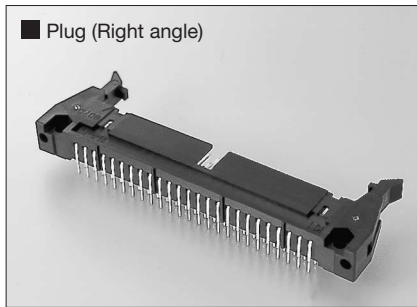
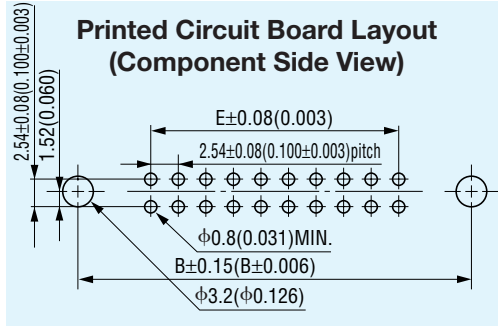
Unit : mm (inch)

Product Table / Dimentions					
No. of contacts	Part Number	A	B	C	Number of packaging
10	6200-010-601-F	17.27 (0.680)	10.16 (0.400)	12.70 (0.500)	200
14	6200-014-601-F	22.35 (0.880)	15.24 (0.600)	17.78 (0.700)	200
16	6200-016-601-F	24.89 (0.980)	17.78 (0.700)	20.32 (0.800)	200
20	6200-020-601-F	29.97 (1.180)	22.86 (0.900)	25.40 (1.000)	150
26	6200-026-601-F	37.59 (1.480)	30.48 (1.200)	33.02 (1.300)	150
30	6200-030-601-F	42.67 (1.680)	35.56 (1.400)	38.10 (1.500)	150
34	6200-034-601-F	47.75 (1.880)	40.64 (1.600)	43.18 (1.700)	150
40	6200-040-601-F	55.37 (2.180)	48.26 (1.900)	50.80 (2.000)	100
50	6200-050-601-F	68.07 (2.680)	60.96 (2.400)	63.50 (2.500)	100
60	6200-060-601-F	80.77 (3.180)	73.66 (2.900)	76.20 (3.000)	100

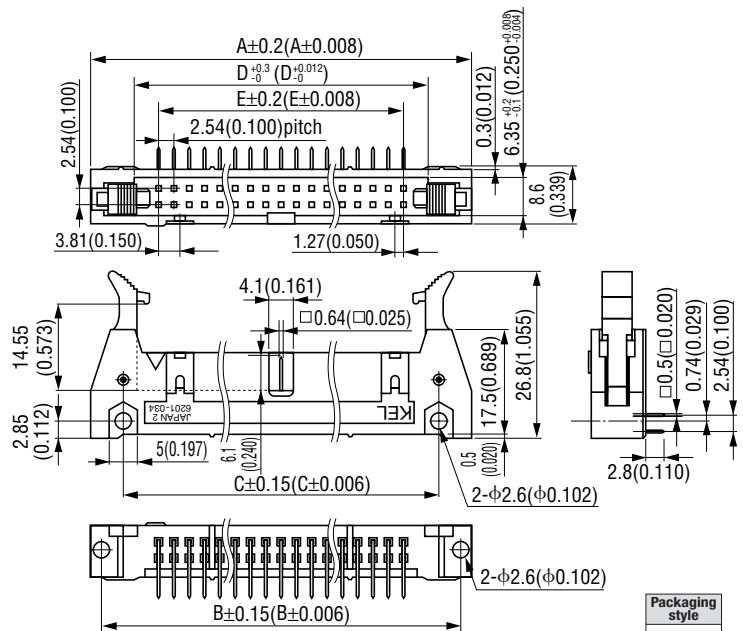
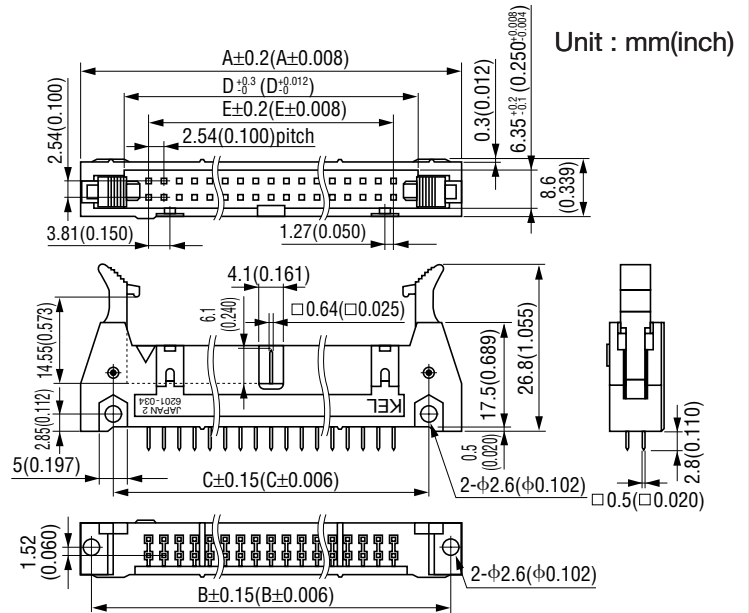
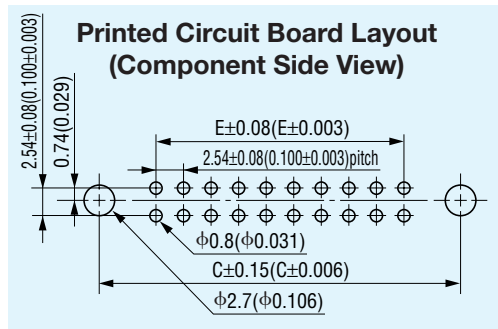
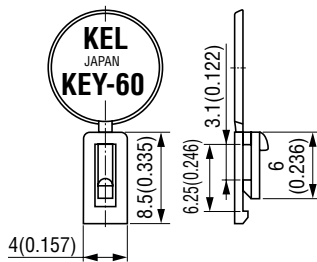
6201-□□□-256-F (Straight) / 6201-□□□-258-F (Right angle)



■ Plug (Straight)



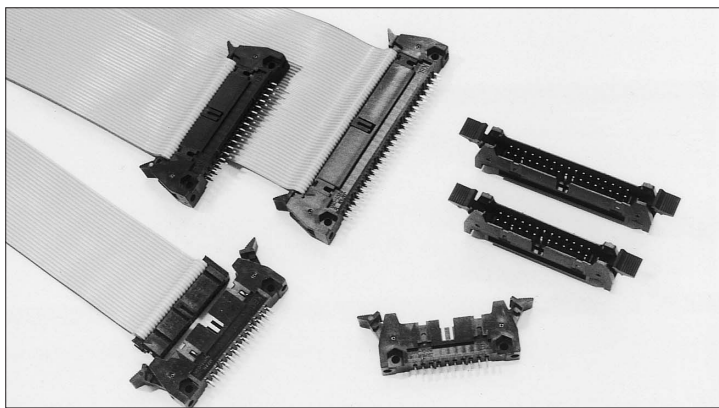
■ Plug (Right angle)



Packaging style
Other

■ Product Table / Dimensions

No. of contacts	Part Number	A	B	C	D	E	Number of packaging
10	6201-010-256-F	32.00	27.94	21.84	17.53	10.16	260
	6201-010-258-F	(1.260)	(1.100)	(0.860)	(0.690)	(0.400)	260
14	6201-014-256-F	37.08	33.02	26.92	22.61	15.24	220
	6201-014-258-F	(1.460)	(1.300)	(1.060)	(0.890)	(0.600)	240
16	6201-016-256-F	39.62	35.56	29.46	25.15	17.78	210
	6201-016-258-F	(1.560)	(1.400)	(1.160)	(0.990)	(0.700)	220
20	6201-020-256-F	44.70	40.64	34.54	30.23	22.86	180
	6201-020-258-F	(1.760)	(1.600)	(1.360)	(1.190)	(0.900)	190
26	6201-026-256-F	52.32	48.26	42.16	37.85	30.48	160
	6201-026-258-F	(2.059)	(1.900)	(1.660)	(1.490)	(1.200)	160
30	6201-030-256-F	57.40	53.34	47.24	42.93	35.56	140
	6201-030-258-F	(2.260)	(2.100)	(1.860)	(1.690)	(1.400)	150
34	6201-034-256-F	62.48	58.42	52.32	48.01	40.64	130
	6201-034-258-F	(2.460)	(2.300)	(2.060)	(1.890)	(1.600)	140
40	6201-040-256-F	70.10	66.04	59.94	55.63	48.26	120
	6201-040-258-F	(2.760)	(2.600)	(2.360)	(2.190)	(1.900)	120
50	6201-050-256-F	82.80	78.74	72.64	68.33	60.96	90
	6201-050-258-F	(3.260)	(3.100)	(2.860)	(2.690)	(2.400)	90
60	6201-060-256-F	95.50	91.44	85.34	81.03	73.66	80
	6201-060-258-F	(3.760)	(3.600)	(3.360)	(3.190)	(2.900)	80



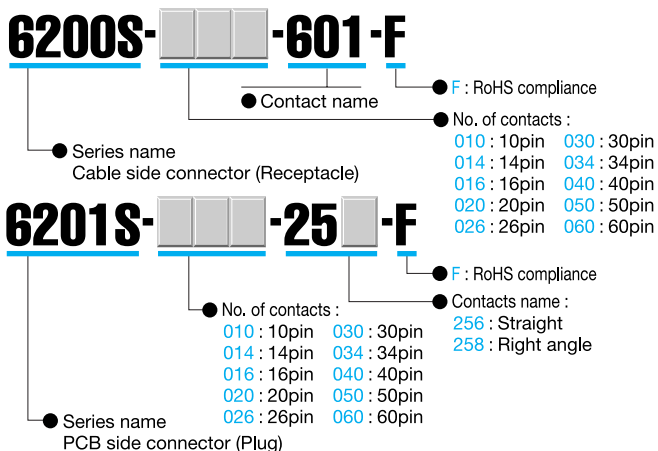
FEATURES

- Flat ribbon cable transition connector
- For standard MIL.
- Short latch type
- With strain relief
- RoHS compliance

SPECIFICATIONS

- Insulator : Glass-filled PBT(UL94V-0),Black
- Contact : Copper alloy
- Contact plating :
 - [Plug] Contact area ; Gold over Nickel
 - Terminal area ; Gold over Nickel
 - [Receptacle] Contact area ; Gold over Nickel
 - IDC area ; Gold over Nickel
- Recommended cable : #28 AWG(7/0.127)
- Current rating : 1A per contact
- Contact resistance : 16mΩ min.
- Dielectric withstanding voltage: 800V AC for 1 minute.
- Insulation resistance : 1,000MΩ min. at 500V AC
- Operating temperature : -55 °C to +85 °C

ORDER CODE



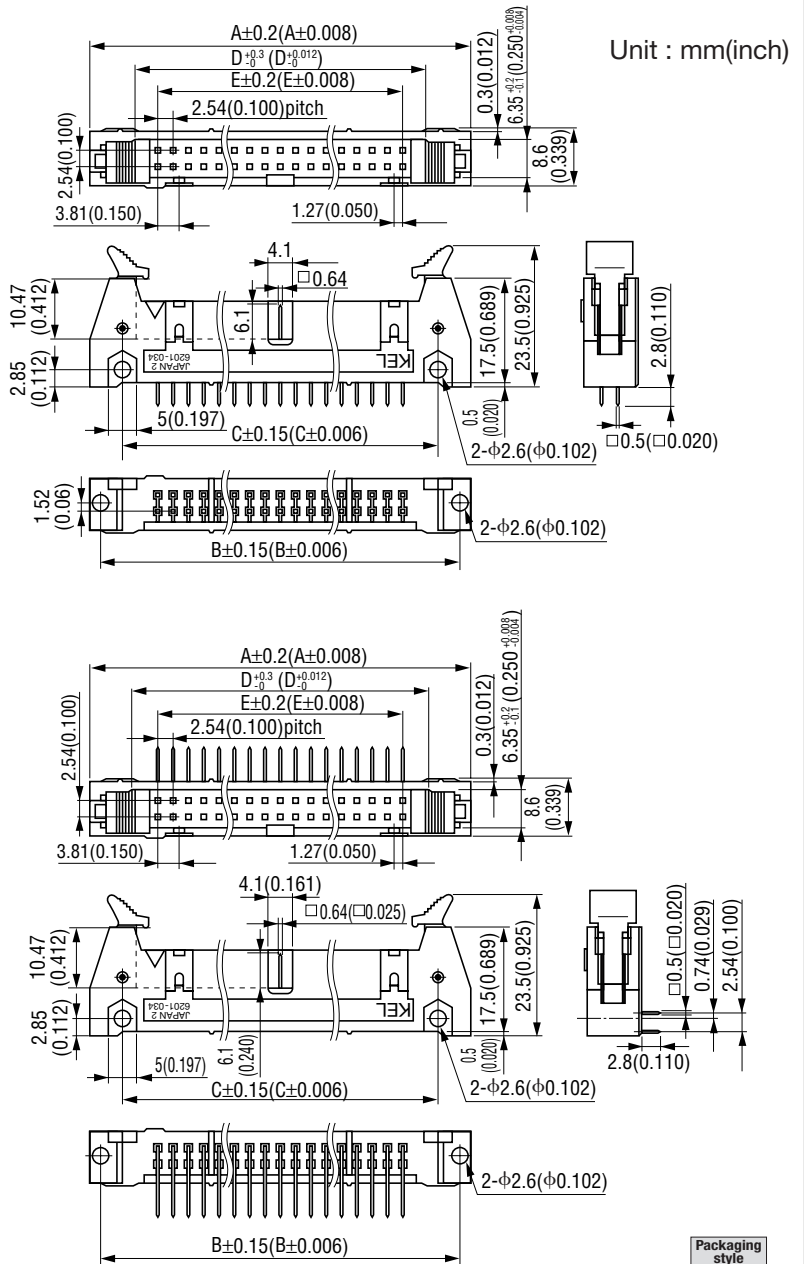
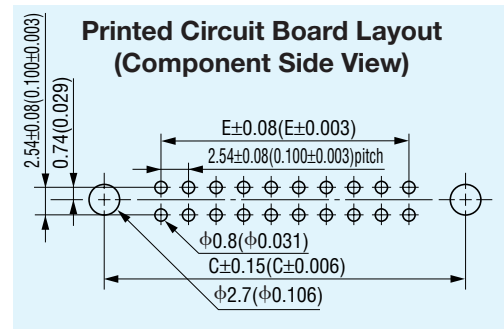
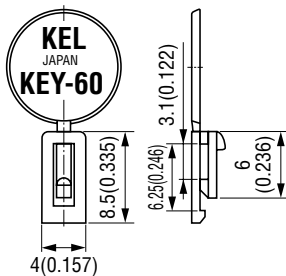
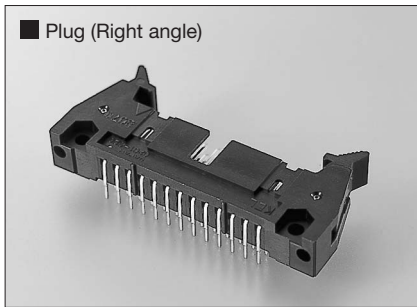
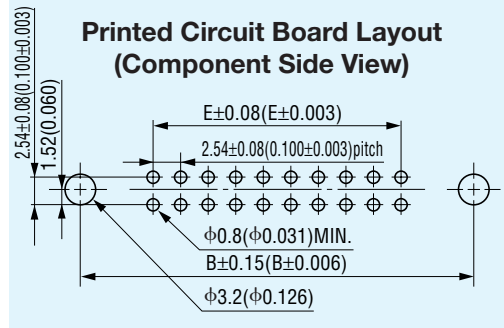
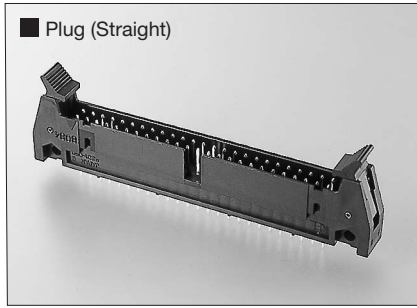
6200S-□□□-601-F

■ Receptacle

Unit : mm (inch)

		Packaging style		
		Other		
■ Product Table / Dimentions				
No. of contacts	Part Number	A	B	Number of packaging
10	6200S-010-601-F	17.27 (0.680)	10.16 (0.400)	200
14	6200S-014-601-F	22.35 (0.880)	15.24 (0.600)	200
16	6200S-016-601-F	24.89 (0.980)	17.78 (0.700)	200
20	6200S-020-601-F	29.97 (1.180)	22.86 (0.900)	150
26	6200S-026-601-F	37.59 (1.480)	30.48 (1.200)	150
30	6200S-030-601-F	42.67 (1.680)	35.56 (1.400)	150
34	6200S-034-601-F	47.75 (1.880)	40.64 (1.600)	150
40	6200S-040-601-F	55.37 (2.180)	48.26 (1.900)	100
50	6200S-050-601-F	68.07 (2.680)	60.96 (2.400)	100
60	6200S-060-601-F	80.77 (3.180)	73.66 (2.900)	100

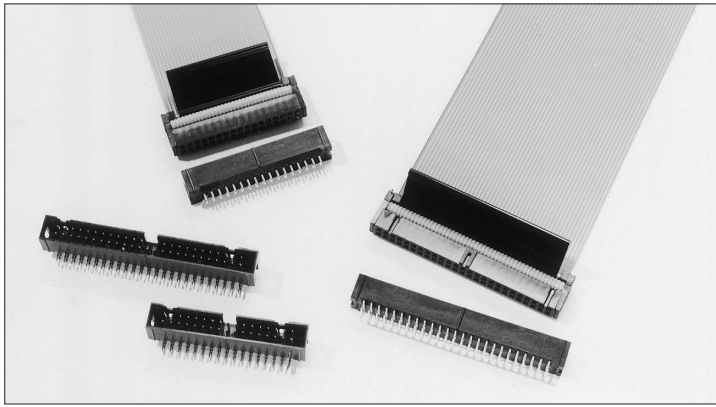
6201S-□□□-256-F (Straight) / 6201S-□□□-258-F (Right angle)



Packaging style
Other

■Product Table / Dimensions

No. of contacts	Part Number	A	B	C	D	E	Number of packaging
10	6201S-010-256-F	32.00	27.94	21.84	17.53	10.16	260
	6201S-010-258-F	(1.260)	(1.100)	(0.860)	(0.690)	(0.400)	260
14	6201S-014-256-F	37.08	33.02	26.92	22.61	15.24	220
	6201S-014-258-F	(1.460)	(1.300)	(1.060)	(0.890)	(0.600)	240
16	6201S-016-256-F	39.62	35.56	29.46	25.15	17.78	210
	6201S-016-258-F	(1.560)	(1.400)	(1.160)	(0.990)	(0.700)	220
20	6201S-020-256-F	44.70	40.64	34.54	30.23	22.86	180
	6201S-020-258-F	(1.760)	(1.600)	(1.360)	(1.190)	(0.900)	190
26	6201S-026-256-F	52.32	48.26	42.16	37.85	30.48	160
	6201S-026-258-F	(2.059)	(1.900)	(1.660)	(1.490)	(1.200)	160
30	6201S-030-256-F	57.40	53.34	47.24	42.93	35.56	140
	6201S-030-258-F	(2.260)	(2.100)	(1.860)	(1.690)	(1.400)	150
34	6201S-034-256-F	62.48	58.42	52.32	48.01	40.64	130
	6201S-034-258-F	(2.460)	(2.300)	(2.060)	(1.890)	(1.600)	140
40	6201S-040-256-F	70.10	66.04	59.94	55.63	48.26	120
	6201S-040-258-F	(2.760)	(2.600)	(2.360)	(2.190)	(1.900)	120
50	6201S-050-256-F	82.80	78.74	72.64	68.33	60.96	90
	6201S-050-258-F	(3.260)	(3.100)	(2.860)	(2.690)	(2.400)	90
60	6201S-060-256-F	95.50	91.44	85.34	81.03	73.66	80
	6201S-060-258-F	(3.760)	(3.600)	(3.360)	(3.190)	(2.900)	80



FEATURES

- Flat ribbon cable transition connector
- For standard MIL.
- Combination of box header and socket
- RoHS compliance

SPECIFICATIONS

- Insulator : Glass-filled PBT(UL94V-0),Black
- Contact : Copper alloy
- Contact plating :
 - [Plug] Contact area ; Gold over Nickel
 - Terminal area ; Gold over Nickel
 - [Receptacle] Contact area ; Gold over Nickel
 - IDC area ; Gold over Nickel
 - Pull tab ; Polycarbonate
- Recommended cable : #28 AWG(7/0.127)
- Current rating : 1A per contact
- Contact resistance : 16mΩ min.
- Dielectric withstanding voltage: 800V AC for 1 minute.
- Insulation resistance : 1,000MΩ min. at 500V AC
- Operating temperature : -55 °C to +85 °C

ORDER CODE

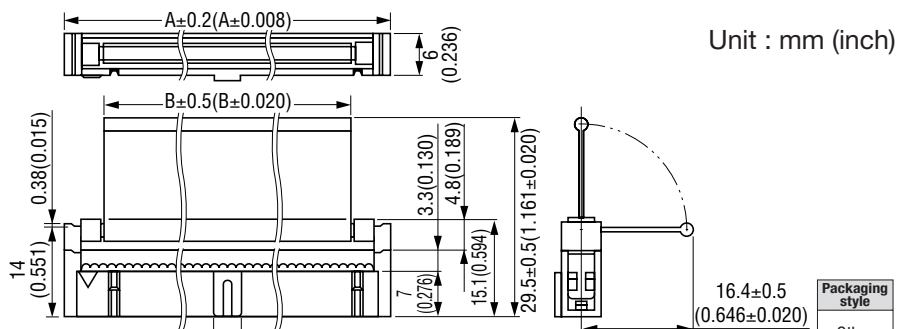
6230-□□□-601-F

- Series name : IDC side connector (Receptacle)
- Contact name : F : RoHS compliance
- No. of contacts :
 - 010 : 10pin 030 : 30pin
 - 014 : 14pin 034 : 34pin
 - 016 : 16pin 040 : 40pin
 - 020 : 20pin 050 : 50pin
 - 026 : 26pin 060 : 60pin

6231-□□□-25□-□

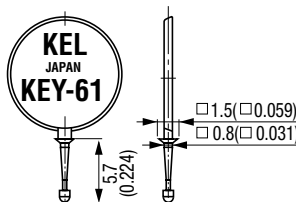
- Series name : PCB side connector (Plug)
- Contacts name :
 - 255 : Right angle RoHS compliance
 - 257-F : Straight RoHS compliance
- No. of contacts :
 - 010 : 10pin 030 : 30pin
 - 014 : 14pin 034 : 34pin
 - 016 : 16pin 040 : 40pin
 - 020 : 20pin 050 : 50pin
 - 026 : 26pin 060 : 60pin

6230-□□□-601-F

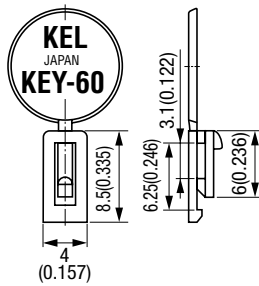
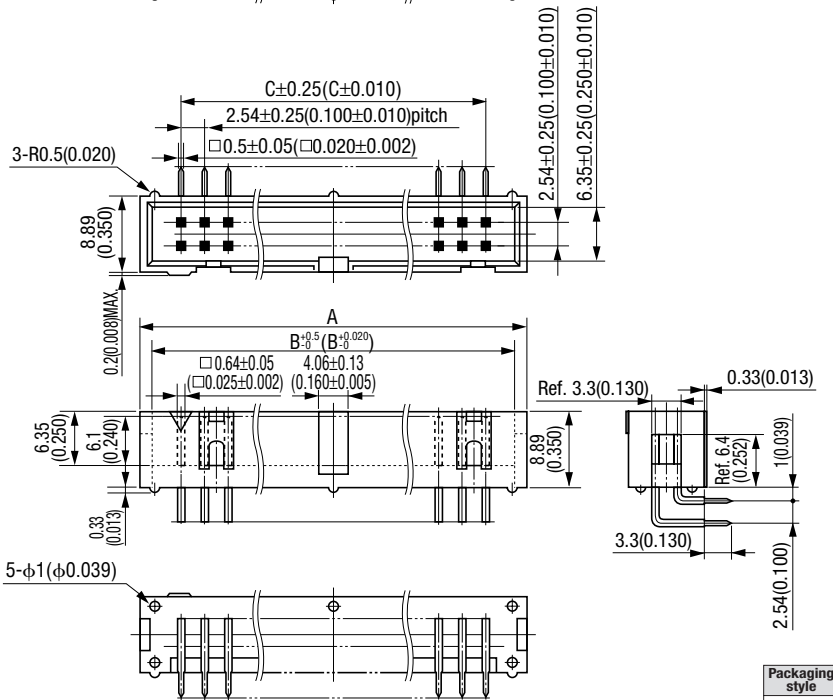
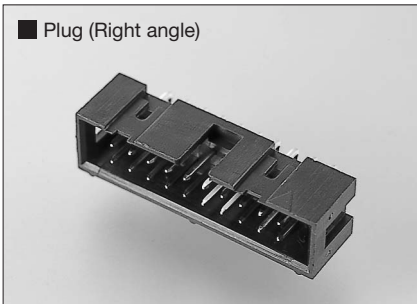
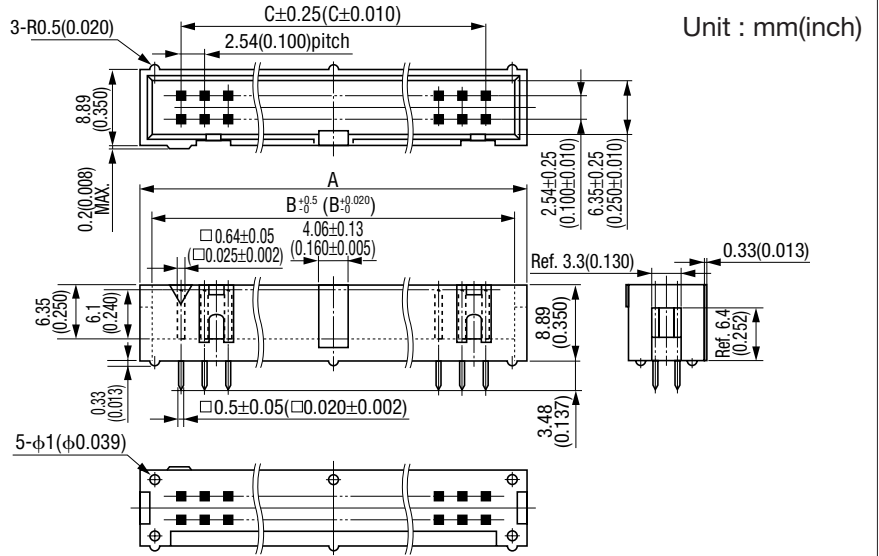
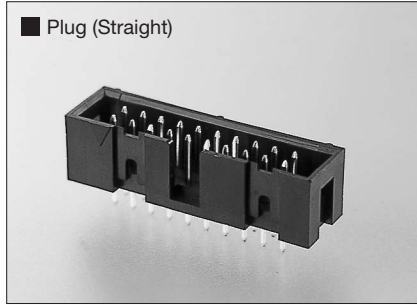


Product Table / Dimentions

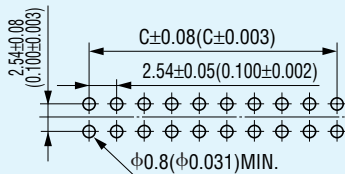
No. of contacts	Part Number	A	B	C	D	Number of packaging
10	6230-010-601-F	17.27 (0.680)	6.0 (0.236)	10.16 (0.400)	12.70 (0.500)	200
14	6230-014-601-F	22.35 (0.880)	11.5 (0.453)	15.24 (0.600)	17.78 (0.700)	200
16	6230-016-601-F	24.89 (0.980)	14.0 (0.551)	17.78 (0.700)	20.32 (0.800)	200
20	6230-020-601-F	29.97 (1.180)	19.0 (0.748)	22.86 (0.900)	25.40 (1.000)	150
26	6230-026-601-F	37.59 (1.480)	26.5 (1.043)	30.48 (1.200)	33.02 (1.300)	150
30	6230-030-601-F	42.67 (1.680)	31.5 (1.240)	35.56 (1.400)	38.10 (1.500)	150
34	6230-034-601-F	47.75 (1.880)	36.5 (1.437)	40.64 (1.600)	43.18 (1.700)	150
40	6230-040-601-F	55.37 (2.180)	44.5 (1.752)	48.26 (1.900)	50.80 (2.000)	100
50	6230-050-601-F	68.07 (2.680)	57.0 (2.244)	60.96 (2.400)	63.50 (2.500)	100
60	6230-060-601-F	80.77 (3.180)	69.5 (2.736)	73.66 (2.900)	76.20 (3.000)	100



6231-□□□-257-F (Straight) / 6231-□□□-255 (Right angle)



Printed Circuit Board Layout (Component Side View)



■ Product Table / Dimensions

No. of contacts	Part Number	A	B	C	Number of packaging
10	6231-010-255	20.02	17.78	10.16	810
	6231-010-257-F	(0.788)	(0.700)	(0.400)	810
14	6231-014-255	25.10	22.86	15.24	600
	6231-014-257-F	(0.988)	(0.900)	(0.600)	600
16	6231-016-255	27.64	25.40	17.78	540
	6231-016-257-F	(1.088)	(1.000)	(0.700)	540
20	6231-020-255	32.72	30.48	22.86	400
	6231-020-257-F	(1.288)	(1.200)	(0.900)	400
26	6231-026-255	40.34	38.10	30.48	400
	6231-026-257-F	(1.588)	(1.500)	(1.200)	400
30	6231-030-255	45.42	43.18	35.56	340
	6231-030-257-F	(1.788)	(1.700)	(1.400)	340
34	6231-034-255	50.50	48.26	40.64	300
	6231-034-257-F	(1.988)	(1.900)	(1.600)	300
40	6231-040-255	58.12	55.88	48.26	270
	6231-040-257-F	(2.288)	(2.200)	(1.900)	270
50	6231-050-255	70.82	68.58	60.96	220
	6231-050-257-F	(2.788)	(2.700)	(2.400)	220
60	6231-060-255	83.52	81.28	73.66	160
	6231-060-257-F	(3.288)	(3.600)	(3.200)	160

Packaging style
Other